











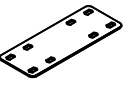




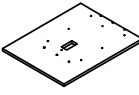


60" Half top for 10ft Conference table

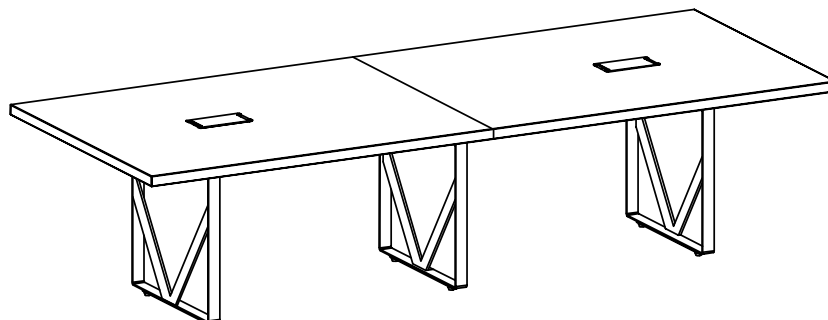
P.1



1  M8 Nut 12 PCS	2  Stand-off Ø20*76 2 PCS	3  Leveler 2 PCS	4  Wire Management Tray 570mm 1 PC	5  Grommet (Pre-assembly) 1 PC	6  Screw M6*65mm 4 PCS
7  Screw M8*40mm 6 PCS	8  Screw M8*20mm 6 PCS	9  Screw M6*15mm 15 PCS	10  Wrench 4mm 1 PC	11  Wrench 5mm 1 PC	12  wrench(M8) 1 PC

13  Bracket 260*100*3mm 1 PC
--

EVTGBK		EVT10AHALFGG	EVT10DBK	
A  End Leg 2PCS	B  Middle Leg 1PC	C  Top Panel 1 PC	D  Right Frame (1111mm) 2 PCS	E  Left Frame (1111mm) 2 PCS



IMPORTANT NOTE:

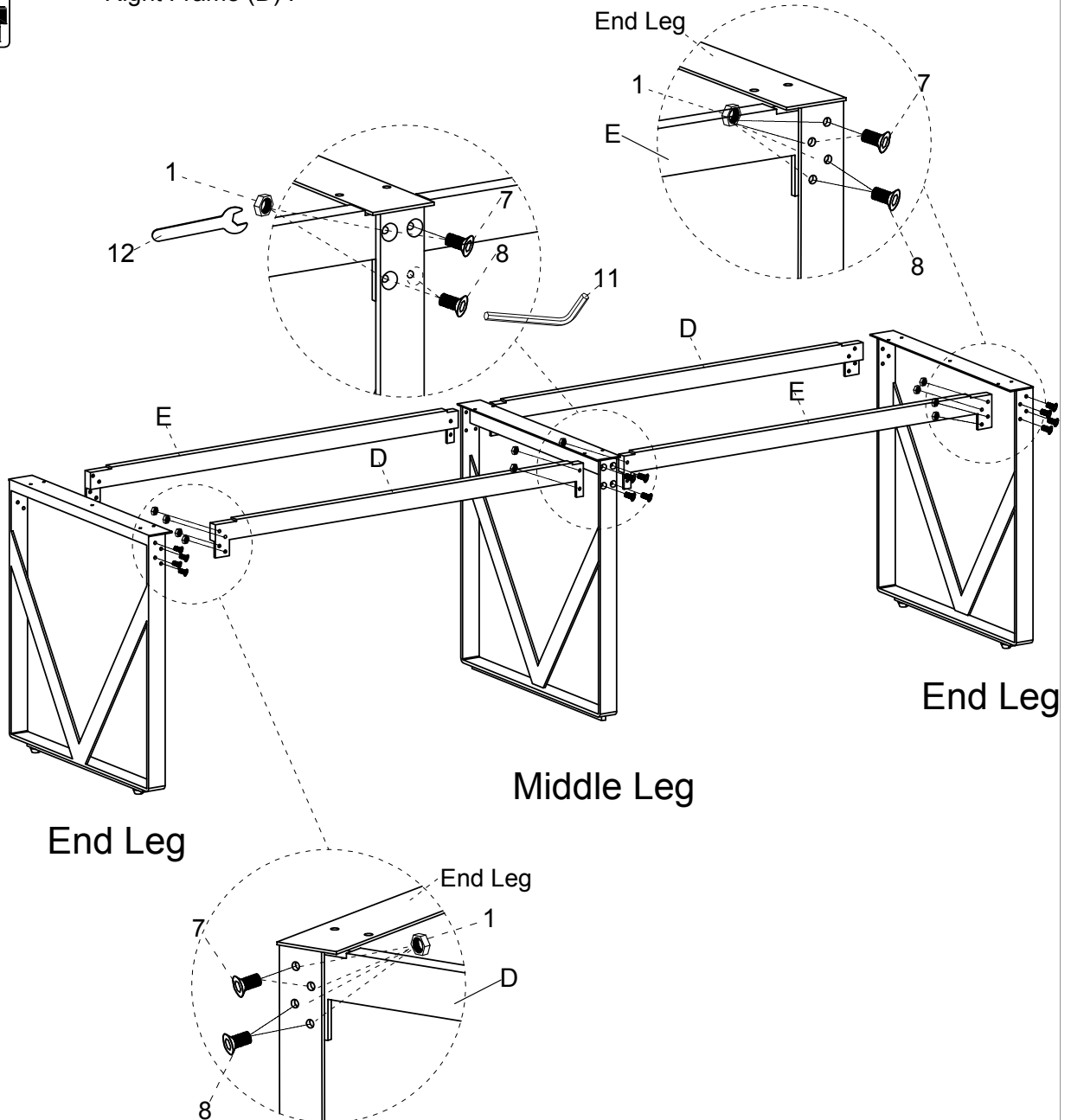
- Place all wooden parts on a clean and smooth surface such as a rug or carpet to avoid the parts from being scratched
- Check that you have all parts and hardware.
- Remove all wrapping materials, including staples & packing straps before you start assemble.
- Do not tighten all screws or bolts until all completely assembled.
- Keep all hardware parts out of reach of children.

60" Half top for 10ft Conference table

P.2



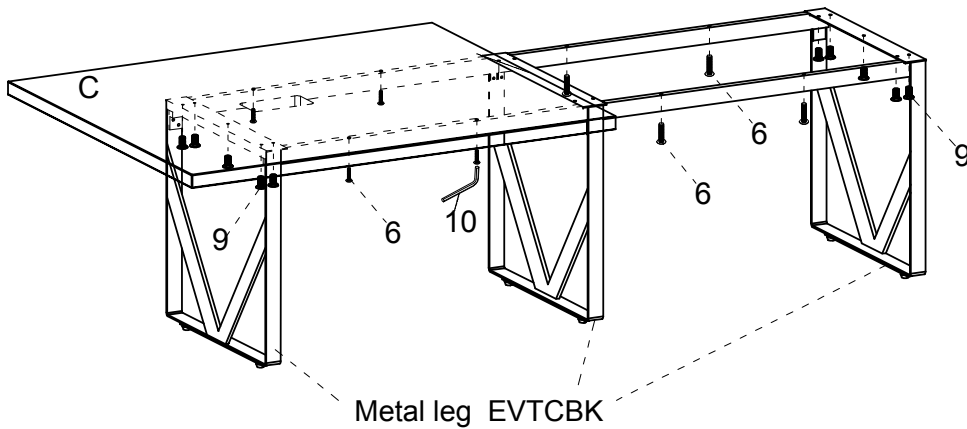
- 1** Use Screw (7 & 8) and Nut (1) to connect Metal leg EVTGBK, and Left Frame (E), Right Frame (D).



60" Half top for 10ft Conference table



- 2** Use Screws (9) to connect Metal leg EVTCBK under the Top (C). Use Screws (6) to connect the Frame (D & E) under the Top (C).



- 3** Install Stand-off (2) on Top Panel (C), Use the Leveler (3) to connect the Wire Management Tray (4) with the Stand-off (2); Use the Screw (9) to install the Bracket (13) to the Top;

